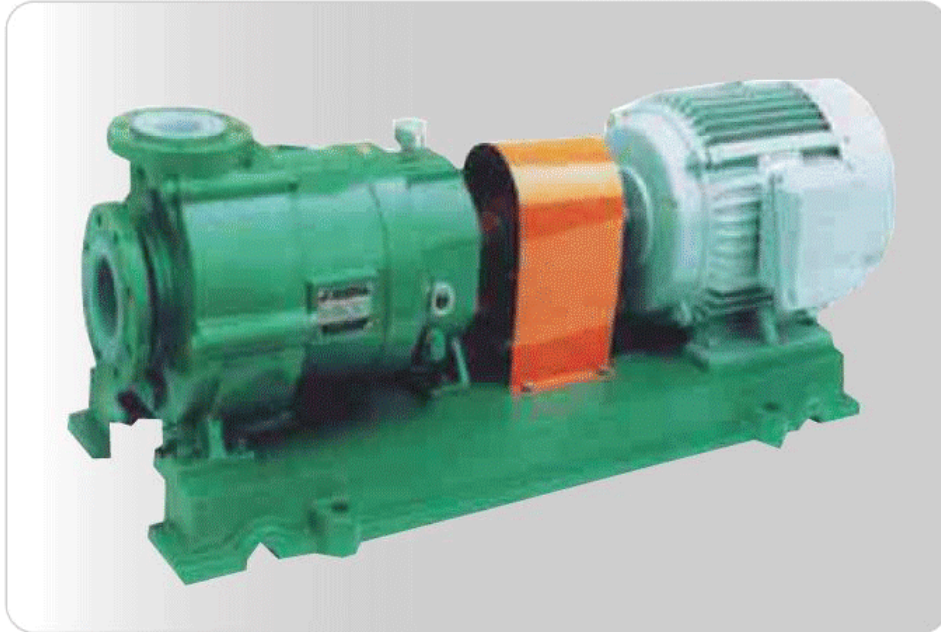


DRC Series Fluoroplastic Magnetic Pump

NeutroneDRC magnetic pumps are widely used in petrochemicals, acid and alkali transferring, automobile, insecticides, dye, pharmacy, papermaking, electroplating and electronics industry.

Operation temperature : - 20°C ~ +100°C



Leakage-proof Design

There is no shaft seal in the pumps, indirect drive with magnetic coupling is adopted, therefore there is no leakage trouble to worry about, and no containment to the site. As section of pumps in contact with liquid is made with "fluoroplastic alloy", these pumps can work continuously without any damage to transfer any corrosive material such as acids, alkalis, strong oxidizer, etc.

Operation Principle

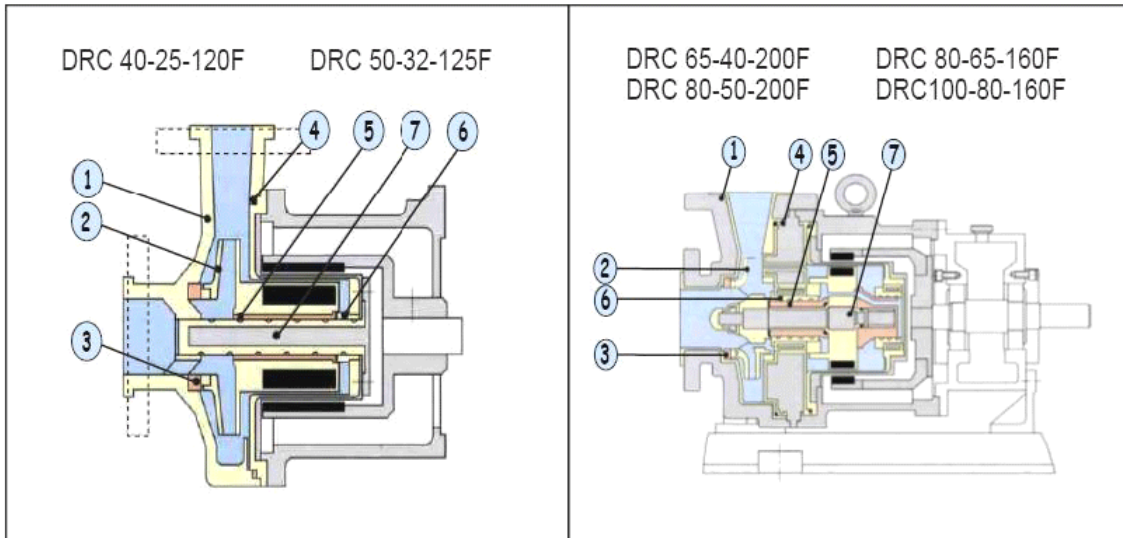
The driving device is an active magnet coupling which is attached directly to the motor shaft, pump cavity is totally closed. The impeller with magnets on pumps shaft is driven to rotate by magnetic coupling. The structure is compact, safe, and save energy.

Strong And Durable Pump Body

Wetted parts are made of fluoroplastic, Pump body casing is made of metal material.

DRC Series Fluoroplastic Magnetic Pump

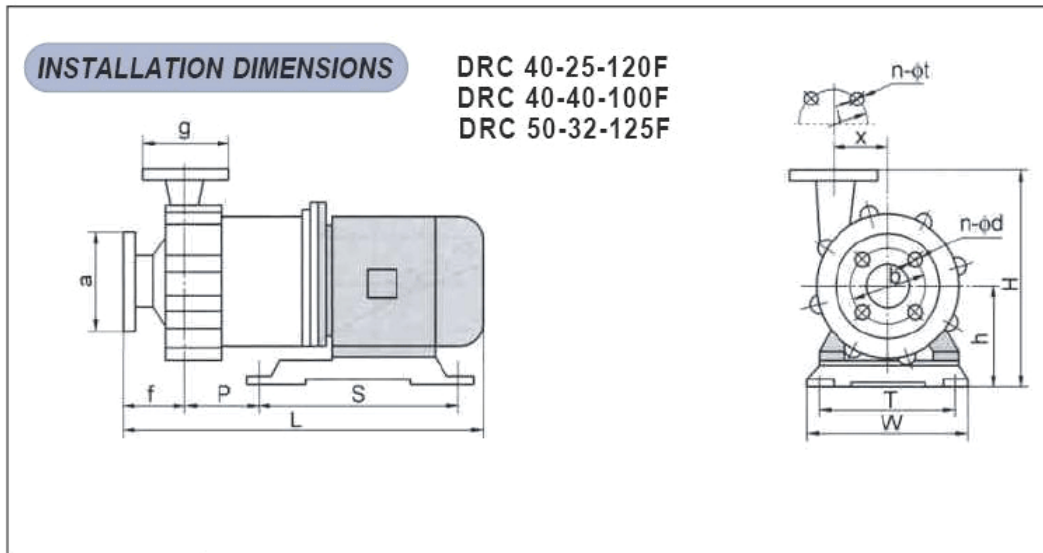
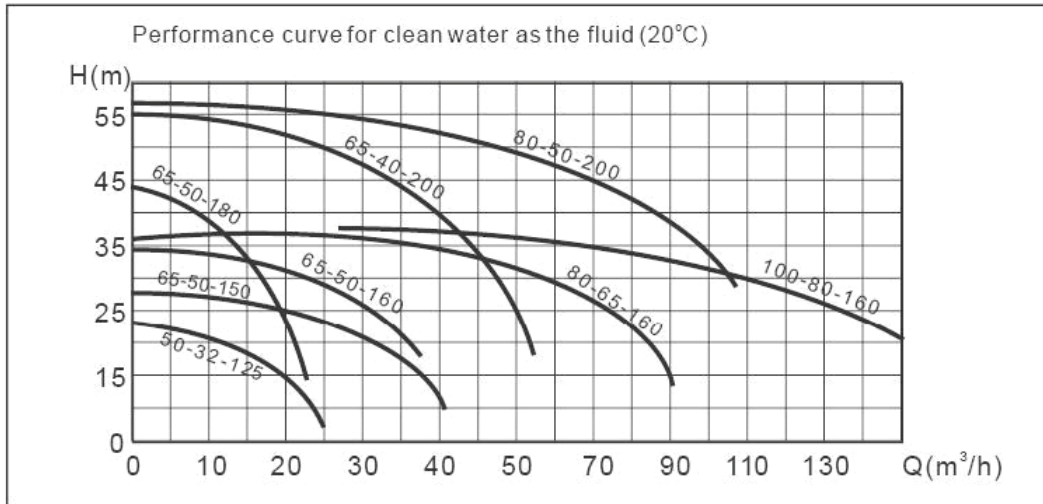
STRUCTURE AND MATERIAL



No.	Part Name	Material
1	Pump Body	Fluoroplastics alloy, Lining F46
2	Impeller	Fluoroplastic alloy
3	Attachment ring	Ceramic of 99.9% aluminum oxide
4	Seal ring	Fluororubber, F4
5	Spindle Bushing	Ceramic, Filling F4
6	Bearing	Ceramic, Filling F4
7	Spindle	45# Steel, Filling F4

Model	Capacity (m ³ /h)	Head (m)	NPSHr (m)	Speed (rpm)	Inlet (mm)	Outlet (mm)	Temperature (°C)	Motor Power (kw)	Weight (kg)
DRC 40-25-120F	6.3	15.0	5.0	2900	40	25	<80	0.75	35
DRC 40-40-100F	6	11	5	2900	40	40	<80	0.55	20
DRC 40-40-125F	6.5	17.5	3.7	2900	40	40	<80	1.1	40
DRC 50-32-125F	12	20	3.5	2900	50	32	<100	1.5	45
DRC 65-50-150F	20	25	4	2900	65	50	<100	4	100
DRC 65-50-160F	17.5	32	4	2900	65	50	<100	4	100
DRC 65-50-180F	8	40	4	2900	65	50	<100	5.5	120
DRC 65-40-200F	25	50	4	2900	65	40	<100	11	180
DRC 80-65-160F	50	32	4	2900	80	65	<100	11	180
DRC 80-50-200F	50	50	4	2900	80	50	<100	18.5	195
DRC 100-80-160F	100	32	4	2900	100	80	<100	22	220

DRC Series Fluoroplastic Magnetic Pump



Model	Overall Dimension (mm)														
	L	S	P	f	W	T	H	h	a	g	b	l	x	n-d	n-t
DRC 40-25-120F	435	270	65	50	175	150	244	113	140	100	100	75	67	4-M12	4-11
DRC 50-32-125F	510	225	65	85	192	165	268	128	130	120	100	90	76	4-13	4-11
DRC 40-40-100F	430	200	125	65	148	115	216	105	130	130	100	100	60	4-13	4-13